



ActivPanel™

INTERACTIVE FLAT PANELS

70" HD, 75" HD, 75" 4K, 86" 4K

The award-winning Promethean ActivPanel is the intelligently-designed, connected hub of the modern classroom. The all-new ActivPanel is powered by a revolutionary, upgradeable Android™-based Mini PC that creates a captivating, tablet-like experience in the front of the classroom.

THE INTELLIGENTLY-DESIGNED, CONNECTED HUB OF THE MODERN CLASSROOM



The World's First Upgradeable Android-Based Interactive Display

Powered by a revolutionary, upgradeable Android-based Mini PC, ActivPanel's unique design enables schools to upgrade the device's capabilities over time to keep pace with computing technology.



The Lowest Total Cost Of Ownership In Its Class

ActivPanel's externally-accessible Android simplifies the device maintenance process and minimizes the cost associated with display diagnostics.



Access To Thousands Of Digital Teaching Tools

Connect to the vast, ever-expanding world of educational apps directly from your home screen. Easily mirror mobile devices to share content, or connect Bluetooth® devices such as musical keyboards, digital lab sensors, and robots to support your lessons.



The Industry's Most Elegant Writing Experience

Designed with the innovative InGlass™ Technology, ActivPanel offers a naturally smooth writing experience with no script-lag or response delays. It features an instant whiteboard for free-form writing, converting to text, palm erasing, and saving your digitally-captured notes.



Free Interactive Lesson Delivery Software Trusted By Teachers Worldwide

Deliver interactive, multimedia lessons offline or online using ClassFlow™ Desktop, designed exclusively for use with Promethean Interactive Displays. Access multi-user pen and touch-based learning activities and lessons. Easily send interactive polls and assessments to student devices. To learn more, visit ClassFlow.com/Desktop.

ActivPanel v5SS 03/17 v1.8 EN

Page 1

The Intelligently-Designed **ActivPanel**



Multi-User Display
Features InGlass Technology with up to 20 simultaneous touch points*

Full HD to 4K Displays
Features crisp details with ambient light sensor for ideal lighting

Powered by Android Mini PC
Includes built-in educational apps with app store access to download more

Tool Wheel
Simply launch the ClassFlow Desktop** application to deliver lessons, write, draw, annotate, and poll students

Built-In Sound
Powerful, dual, front-facing stereo speakers

Distinctive Design
New, accessible tray with differentiated pen

Easy Device Connectivity
Accessible ports for HDMI® and USB connectivity



Select From Versatile Mounting Options

Create the best solution for the classroom with the ActivPanel Stands, including a fixed wall mount (included with purchase), height-adjustable wall mount, height-adjustable mobile stand, and non-adjustable mobile stand.



Protect Your Technology Investment

Our upgradeable solution combined with a comprehensive multi-year warranty ensures an excellent return on investment for years to come.

*Number of touch points based on model

**ClassFlow Desktop is available for Windows®, Mac®, and Linux® operating systems

ActivPanel v5SS 03/17 v1.8 EN

Page 2

The Intelligently-Designed **ActivPanel**

DISPLAY

Diagonal Size	Available in 70" HD, 75" HD, 75" 4K, 86" 4K
Screen Type	TFT LCD (Direct LED Backlight) Grade A
Aspect Ratio	16:9
Display Area	70" HD: 1541 x 868 mm (60.7 x 34.2 in) 75" HD, 75" 4K: 1652 x 930 mm (65 x 36.6 in) 86" 4K: 1895 x 1066 mm (74.6 x 41.9 in)
Display Colors	10 bits
Number of Display Colors	1.07 Billion
Resolution	70" HD, 75" HD (1920 x 1080px @ 60 Hz) 75" 4K, 86" 4K (3840 x 2160px @ 60 Hz)
Response Time	70" HD: 6 ms; 75" HD, 75" 4K, 86" 4K: 8 ms
Refresh Rate	60 Hz
Contrast Ratio	4000:1
Brightness	>= 350 cd/m2
Glass Hardness	7 Mohs, 9H pencil
Glass Type	Heat-tempered, Anti-Glare
Ambient Light Sensor	Yes
Freeze Screen	Yes
Blank Screen	Yes

CONNECTIVITY

	70" HD, 75" HD	75" 4K, 86" 4K
HDMI In	x3 (1.4)	x4 (2.0)
HDMI Out	N/A	x1
USB Touch	x3	x4
VGA In	x1	x1
VGA Audio In	x1	x1
Audio Out (3.5 mm)	x1	N/A
SPDIF Out	x1	x1
YPbPr	x1	N/A
CVBS	x1	x1
Mic In (3.5 mm)	x1	x1
Headphone	x1	x1
USB 2.0	x3	x2
USB 3.0	N/A	x1
RS232 Serial	x1	x1
OPS Slot	x1	x1
RJ45 In	x1	x1
RJ45 Out	N/A	x1
SD Card	x1	x1 Micro

AUDIO

Speakers	Front-facing stereo speakers
Power	70" HD, 75" HD: 2 x 10 W 75" 4K, 86" 4K: 2 x 15 W

ANDROID MINI PC

System Version	Android 5.1 Lollipop
CPU	Rockchip RK3368 Octa Core Up to 1.5 GHz
GPU	SGX6110; support 4K*2K H.265/H.264
RAM	2 GB DDR3
Internal Storage	16 GB

COMPLIANCE & CERTIFICATION

Regulatory Certification	CE, FCC, IC, UL, CUL, CB
Energy Star® Certified	Yes: 70" HD, 75" HD, 75" 4K

INTERACTIVITY

Continuous Touch Points	70" HD, 75" HD: Up to 10; 75" 4K, 86" 4K: Up to 20
Gestures and Edge Swipes	Windows® Supported
Touch Technology	InGlass™ Technology
Touch Resolution	0.4 mm (minimum)
Contact Detection Height	=<0.95 mm @2 mm object size
Bezel Size	70" HD: 22 mm (0.87 in) 75" HD, 75" 4K: 25 mm (0.98 in) 86" 4K: 25.5 mm (1.00 in)
Positioning Accuracy	1 mm
Tracking Rate	4 m/s
Scan Rate	=<6.7 ms
Recognition Tools	Palm erase; Handwriting, math, and shape recognition with ClassFlow Desktop
Compatibility	Windows® 7 to 10 Mac OS® 10.12.1 or later Linux® Ubuntu 16.04 LTS Chromebook™

PEN

Pens Included	70" HD, 75" HD: x1; 75" 4K, 86" 4K: x4
Pen Type	Touch differentiated battery-less pen
Pen Holder	Integrated full-length pen tray
Pen Tip Diameter	70" HD, 75" HD: 4mm; 75" 4K, 86" 4K: 2mm

PACKED CONTENTS

What's in the box	Box 1 of 2: ActivPanel x1, Pen (70" HD, 75" HD: x1; 75" 4K, 86" 4K x4), Wall mount x1, Vesa mount screws x4, Remote control x1, AAA remote batteries x2, Power Cable (3m/9.8ft. quantity is SKU dependent), HDMI cable x1 (3m/9.8 ft.), USB cable x1 (3m/9.8 ft.), ActivSoundBar brackets x2 (preinstalled on 75" HD, 75" 4K, 86" 4K), Quick install guide x1, ClassFlow Desktop and ActivInspire Professional included
	Box 2 of 2: ActivConnect G-Series device x1, DC output cable x1, USB A-B cable x1, HDMI cable x1, Power adapter (UK/US/AU/EU/ CN) x1, User guide x1

STANDS & ACCESSORIES

Fixed Wall Mount (Vesa)	Included with purchase and compatible with all ActivPanel sizes
Height-Adjustable Wall Mount	Available in specific markets and compatible with all ActivPanel sizes
Height-Adjustable Mobile Stand	Available in specific markets and compatible with ActivPanel 70" HD, 75" HD and 75" 4K
Non-Adjustable Mobile Stand	Available in all markets and compatible with all ActivPanel sizes
ActivSoundBar	Compatible for top mount installation (attachment points included with 75" HD, 75" 4K, 86" 4K)
Open Pluggable Specification (OPS) PC	i5, 4GB RAM, 500G HDD, OS not pre-installed (minimum order quantity required)

WARRANTY

Standard Warranty	Multi-Year Warranty (subject to registration and based on region). For more information, visit PrometheanWorld.com/ActivCare .
-------------------	---

The Intelligently-Designed **ActivPanel**

POWER

Power Requirements	100V - 240V AC
Power Consumption (Normal)	70" HD: <= 200 W; 75" HD, 75" 4K: <= 300W; 86" 4K: <= 350W
Power Consumption (Standby)	<=0.5 W
Ultra-Quiet Fanless Design	Yes

ENVIRONMENTAL

Operating Temperature	0°C to 40°C (32°F to 104°F)
Storage Temperature	-15°C to 55°C (-5°F to 131°F)
Operating Humidity	20% to 80% non-condensing humidity
Storage Humidity	20% to 90% non-condensing humidity

INSTALLATION

The ActivPanel includes a fixed wall mount system. The installation of this product should be completed by a trained Promethean installer. Use of components not supplied by Promethean or not meeting minimum specifications may impact performance, safety and warranty. For more information, visit Support.PrometheanWorld.com.

SUPPORT

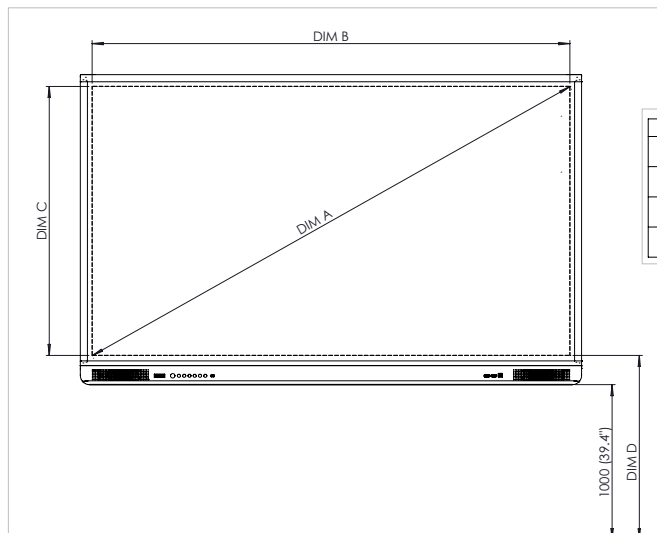
For all Promethean products, visit Support.PrometheanWorld.com.

PHYSICAL SPECIFICATIONS

	70" HD	75" HD, 75" 4K	86" 4K
Overall Dimensions (Without Mount)	1617 x 1000 x 90 mm (63.7 x 39.4 x 3.6 in)	1790 x 1095 x 114 mm (70.4 x 43.1 x 4.4 in)	2039 x 1236 x 115 mm (80.2 x 48.6 x 4.5 in)
Packed Dimensions	1860 x 1150 x 305 mm (73.2 x 45.3 x 12 in)	1923 x 1195 x 285 mm (75.7 x 47 x 11.2 in)	2160 x 1345 x 320 mm (85 x 52.9 x 12.5 in)
Net Weight	55.5 kg (122.4 lbs)	61 kg (134.4 lbs)	78 kg (171.9 lbs)
Packed Weight	78 kg (172 lbs)	90 kg (198.4 lbs)	108 kg (238 lbs)
Fixed Wall Mount (Vesa)	4 x M6; 400 x 600 mm (15.7 x 23.6 in)	4 x M6; 400 x 800 mm (15.7 x 31.5 in)	4 x M8; 400 x 800 mm (15.7 x 31.5 in)

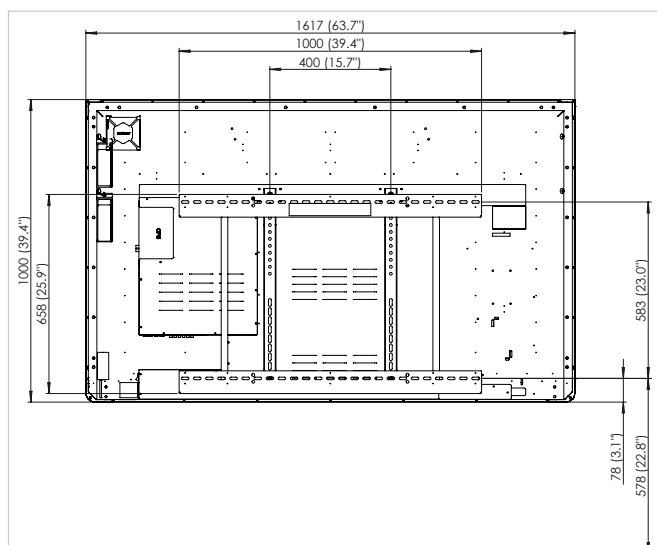
TECHNICAL DRAWINGS

70" HD

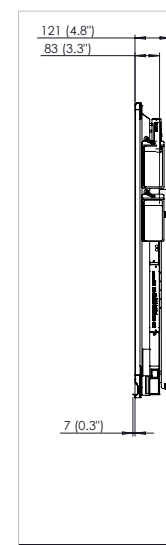


REF	DESCRIPTION	DIMENSION
A	IMAGE DIAGONAL	1768mm (70.0")
B	IMAGE AREA WIDTH	1541mm (60.7")
C	IMAGE AREA HEIGHT	868mm (34.2")
D	FLOOR TO BOTTOM OF IMAGE	1094mm (42.1")

Front



Back

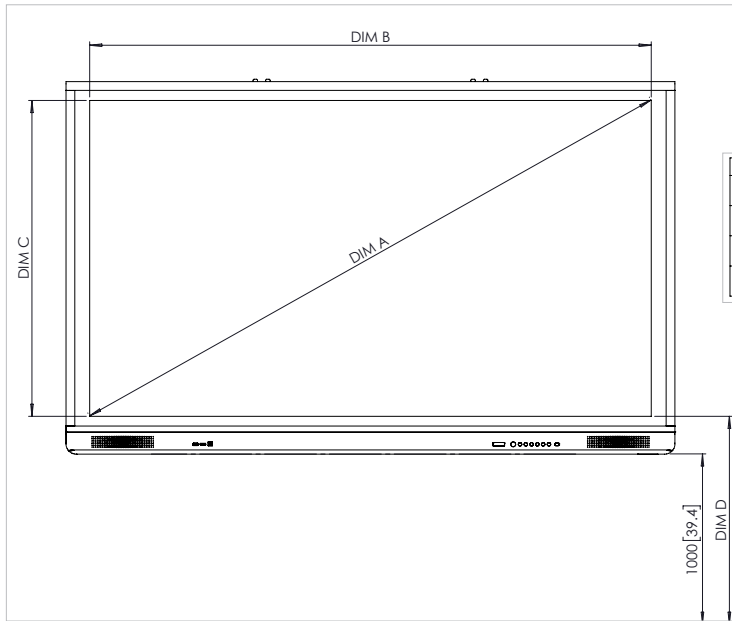


Side

ActivPanel v5SS 03/17 v1.8 EN

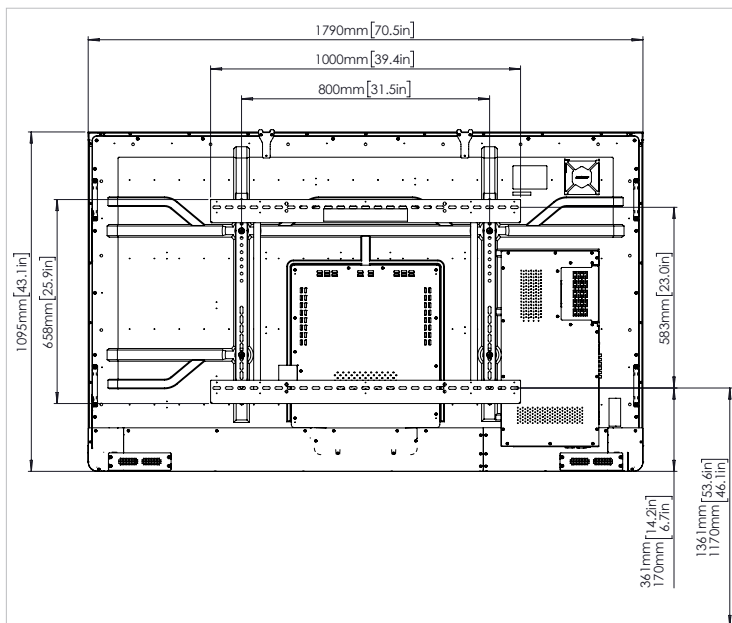
TECHNICAL DRAWINGS

75" HD

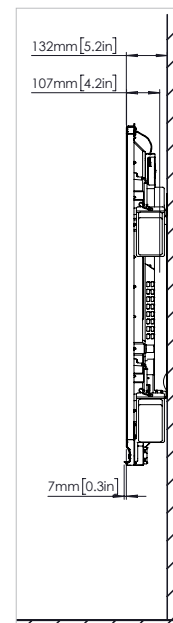


REF	DESCRIPTION	DIMENSION
A	IMAGE DIAGONAL	1896mm [75"]
B	IMAGE AREA WIDTH	1652mm [65.0"]
C	IMAGE AREA HEIGHT	930mm [36.6"]
D	FLOOR TO BOTTOM OF IMAGE	1111mm [43.7"]

Front



Back

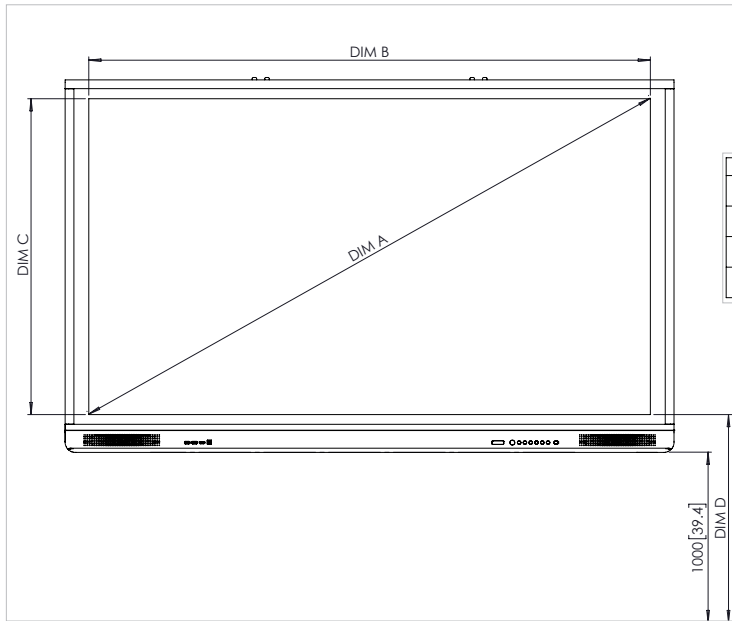


Side

ActivPanel v5SS 03/17 v1.8 EN

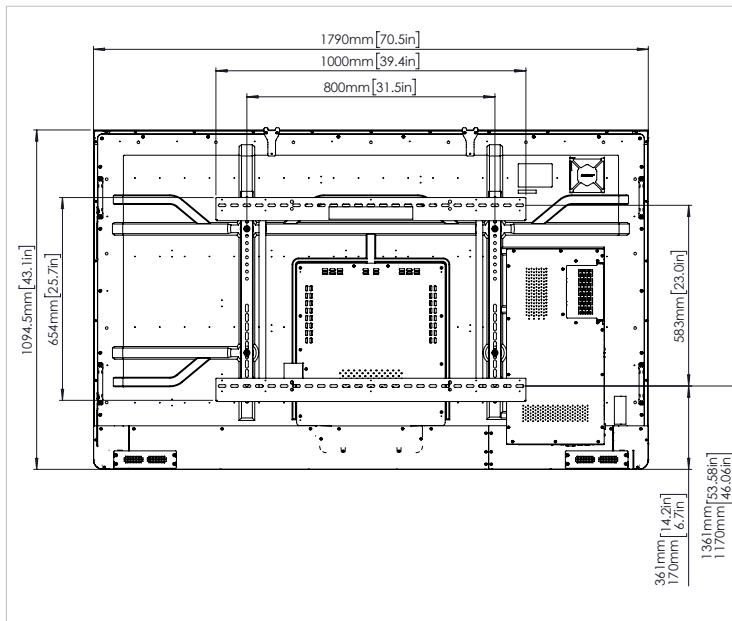
TECHNICAL DRAWINGS

75" 4K

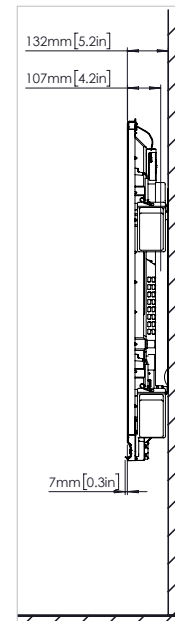


REF	DESCRIPTION	DIMENSION
A	IMAGE DIAGONAL	1896mm [75"]
B	IMAGE AREA WIDTH	1652mm [65.0"]
C	IMAGE AREA HEIGHT	930mm [36.6"]
D	FLOOR TO BOTTOM OF IMAGE	1111mm [43.7"]

Front



Back

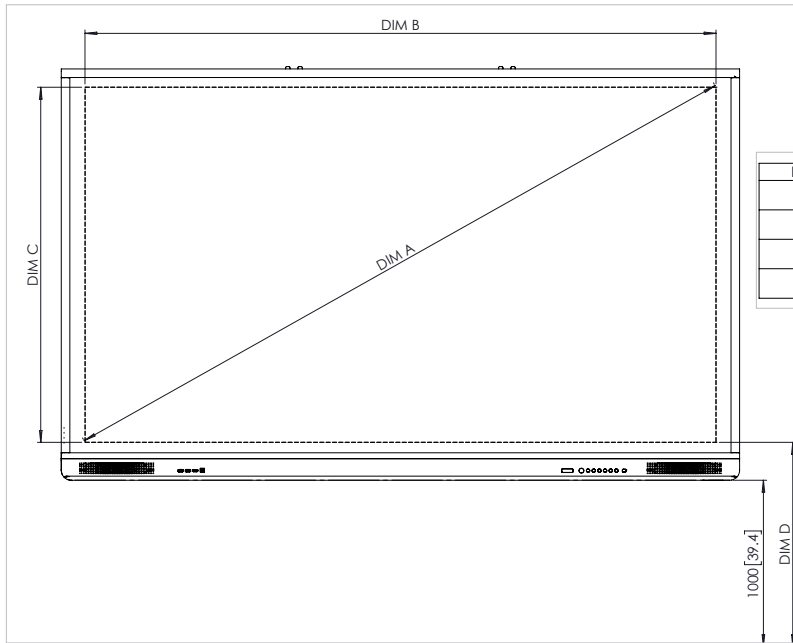


Side

ActivPanel v5SS 03/17 v1.8 EN

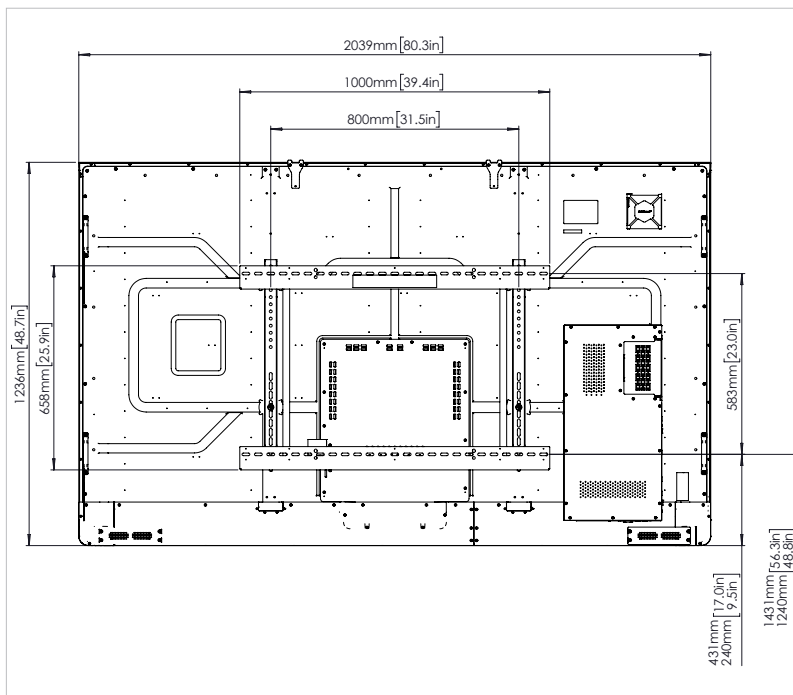
TECHNICAL DRAWINGS

86" 4K

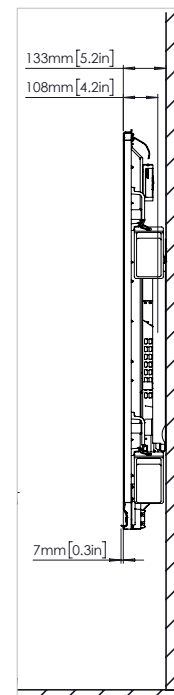


REF	DESCRIPTION	DIMENSION
A	IMAGE DIAGONAL	2176mm [86"]
B	IMAGE AREA WIDTH	1895mm [74.6"]
C	IMAGE AREA HEIGHT	1066mm [42.0"]
D	FLOOR TO BOTTOM OF IMAGE	1114mm [43.9"]

Front



Back



Side